



# 产品承认书

## SPECIFICATION FOR APPROVAL

<b>客户名称:</b> Customer name: <b>客户料号:</b> Customer item No:  <b>产品名称:</b> Product name:  <b>型号/规格:</b> Model/specification:  <b>环保属性:</b> Environmental properties:  <b>制造商料号:</b> Manufacturer PN:  <b>制造商名称:</b> Manufacturer Name:  <b>送承日期:</b> Supply Date:	晶品 <hr/> 中型汽车插片保险丝 <hr/> HDSM030 30A32V <hr/> <input checked="" type="checkbox"/> ROHS <input checked="" type="checkbox"/> REACH <input type="checkbox"/> HF <input type="checkbox"/> PAHS <input type="checkbox"/> 其它 <hr/> 东莞市泓达电子科技有限公司 <hr/> 2023年10月12日
--	---

供应商-泓达 Supplier-Hongda		确认合格章 Confirm qualified Signet	客户 Customer	零件承认章 Approval Signet
编制 PREPARED	邵森林			
审核 CHECKED	邵森林			
批准 APPROVED	孙嘉利			





### 1. 适用范围 Scope of application


本产品适用于汽车电器内的电路中起过电流保护作用。

This product is suitable for various kinds of electronic machines to work for over current protection.

### 2. 相关标准及认证 Relevant Standards and Certification

2.1 执行标准 Standard: ISO 8820 SAE j2077 UL 248

2.2 认证 Certification:

Agency	Agency File Number	Ampere Range
	E318938	1A-40A

### 3. 型号参数 Ratings

Part Number (序列号)	Current Rating (额定电流)	Voltage Rating (额定电压)	Voltage Drop (电压降)	Cold Resistance (冷电阻± 10%)	I2t (熔化 热能)	Housing Color (颜色)
HDSM030	30A	32V	87mV	2.4mΩ	1130A <sup>2</sup> s	Green

3.1, 中断级别: 1000A @ 58 VDC

Interrupting Rating: 1000A @ 58 VDC

3.2, 额定电压: 32/48/58 VDC

Voltage Rating: 32/48/58 VDC

3.3, 工作温度范围: -40°C + 125°C

Operating Temperature Range: -40°C to +125°C

3.4, 接线端子: 锌合金

Terminals: zinc alloy3

3.5, 外壳材料: PA66 V0

Housing Materials: PA66 V0

3.6, UL 248 专用熔断器

UL 248 Special Purpose Fuses



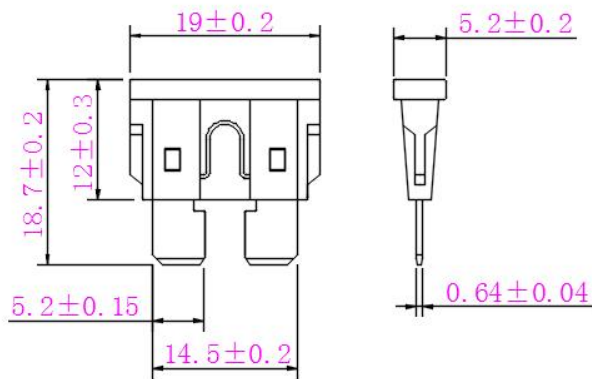
3.7.熔丝形状无标准要求

Fuse shape top requirements3.

8.符合 ROHS 标准，100%无铅

RoHS compliant and 100% lead-free

4. 结构及尺寸 Structure and Size (unit: mm)

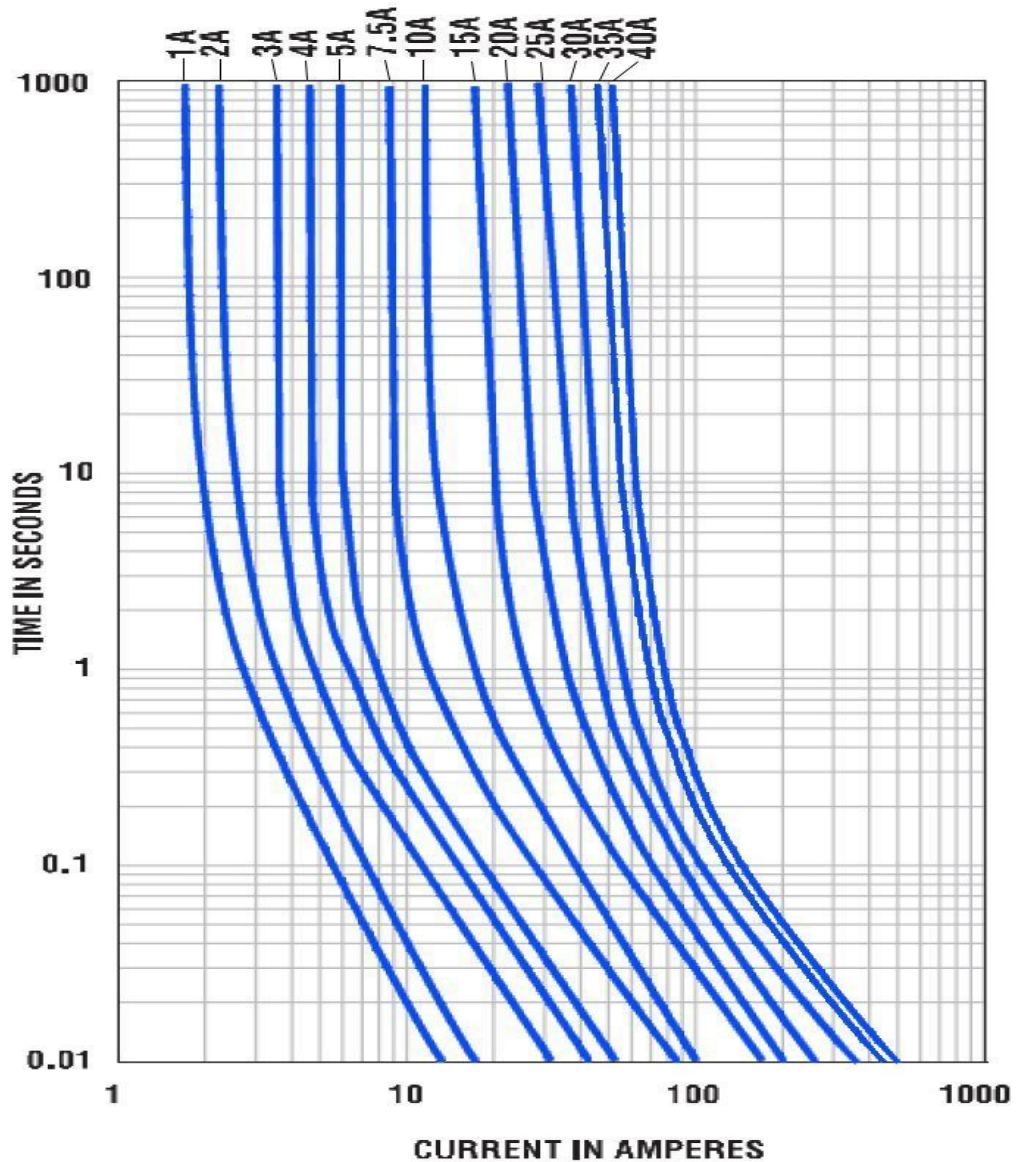


5. 电气特性 Electrical characterist

	MINI	MAX
110%	>4H	/
135%	750ms1	30min
200%	50ms	5s
350%	40ms	500ms2
600%	10ms	00ms

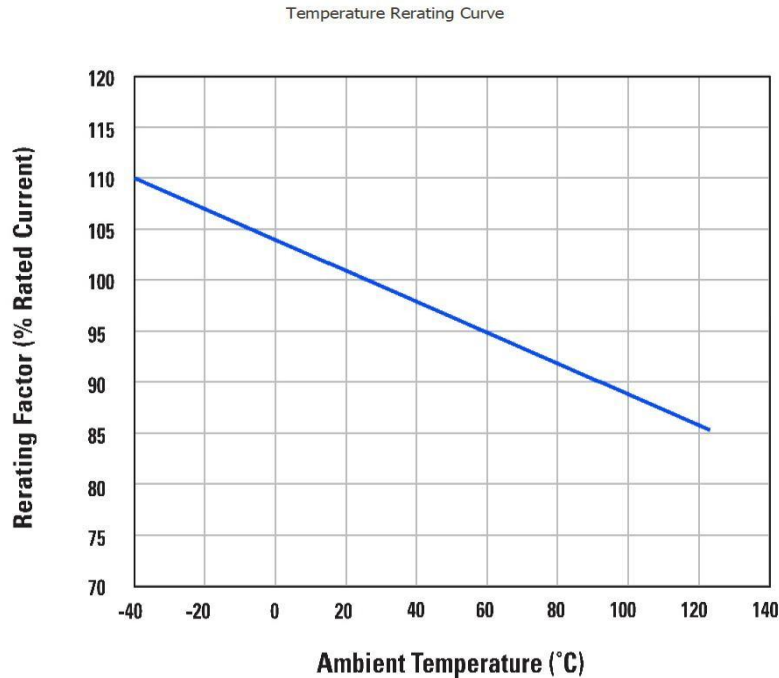


## 6. 时间-电流特性曲线 Time-Current Characteristic Curves





## 7. 温升曲线 Temperature rerating Curve



## 8. 环境特性 Environmental characteristics

### 10.1 使用温度范围 Operating Temperature

-40℃~125℃。

### 10.2 保存条件 Storage Conditions

相对湿度 $\leq$ 75%，可存放3年。

Relative humidity  $\leq$  75%, store 3 years .

## 9. 其他 Others

11-1 如果在使用中有超出本规格书的要求，必须经由双方协商确认。

In the event that an impropriety is found beyond this specification ,it shall be fixed by mutual agreement between the parties.

11-2 如果本规格书有不适当的情况，必须通过双方协商并由本公司修改。

In the event that an impropriety is found in this specification , HONGDA ELECTRONIC CO., LTD. shall amend it by mutual agreement between the parties.

附：承认书后附安规证书及环保报告

Appendix: The specification attached safety certificate and RoHS directive test report.